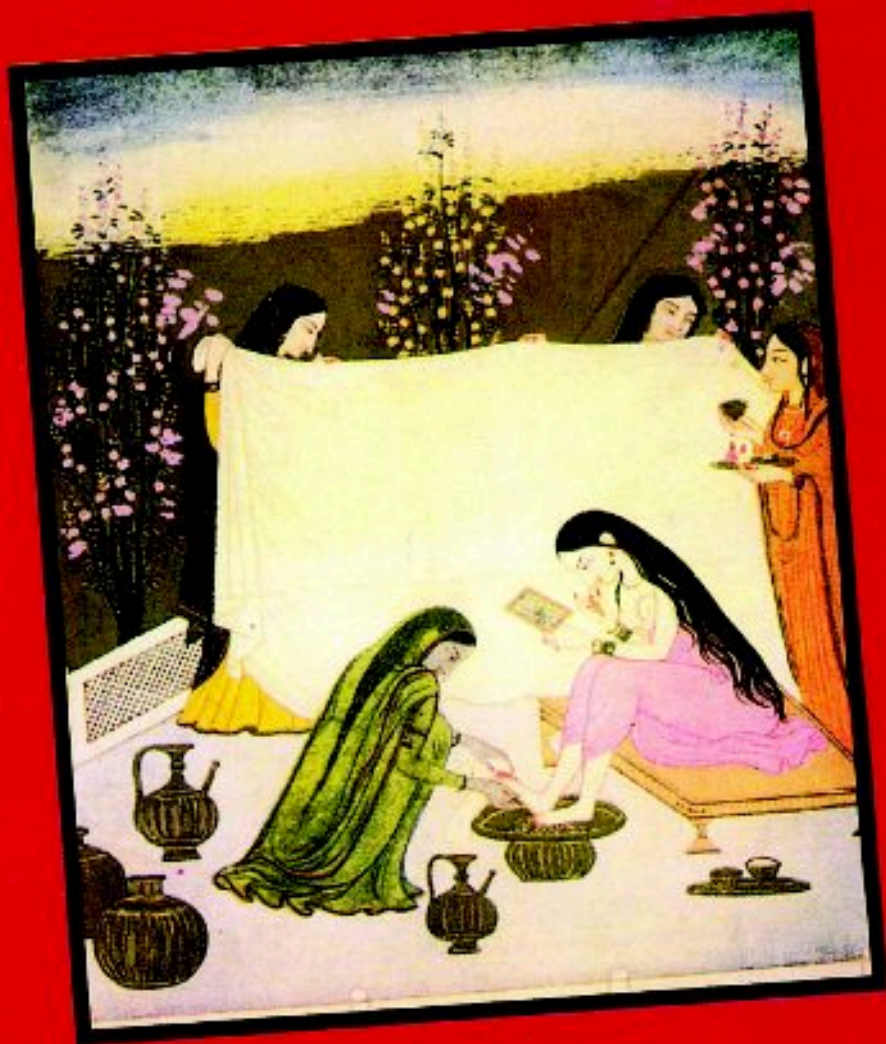


GMB
VITREOUS



STERLING
SANTARYWARE

PRODUCT CATALOGUE

COMPANY

GMB Ceramics Ltd., is the first Hi-tech vitreous china Sanitaryware unit in Eastern India, manufacturing the most captivating sterling range of WCs, WashBasins, and other essential fittings in myriad colours and designs that are attractive and functional.

TECHNOLOGY

GMB Ceramics Ltd., using the most modern slip cast technology, the first of its kind in India and also a highly efficient and fully automatic open flame ceramic fibre lined tunnel kiln from HEIMSOOTH KERAMISCHE OFEN GmbH & CO. (West Germany) to give the most exciting and promising range of premium quality Sanitaryware products in India.

QUALITY

Our Sterling brand of products conform the most acceptable norms laid down by BIS Viz (ISI Mark).

The products also match any International Standards.

EXPORTS

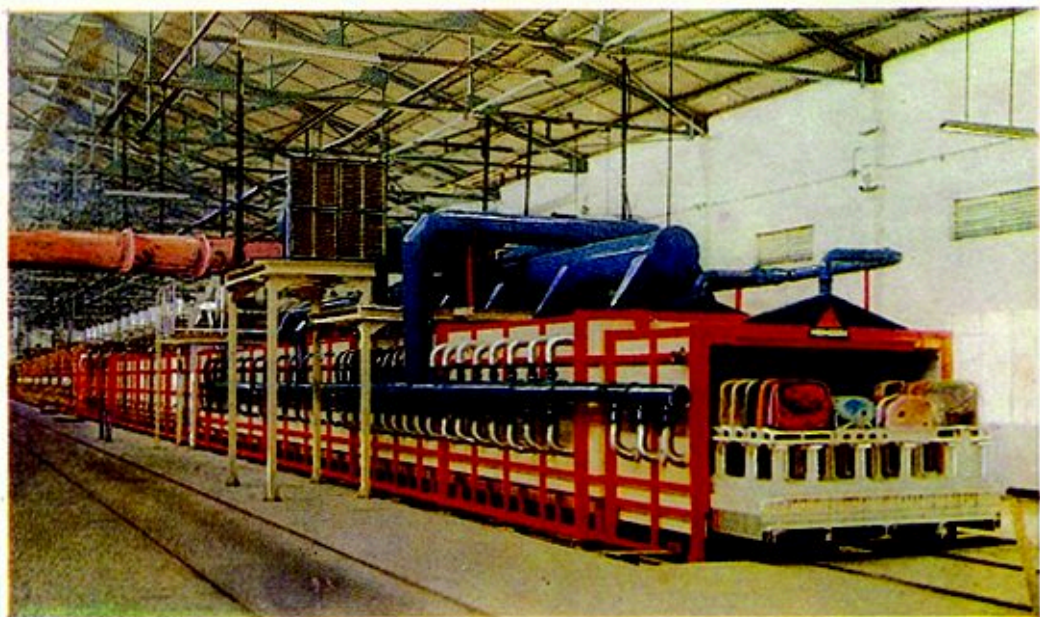
Our innovations, visual appeal, quality and durability have enabled us to transcend International boundaries. The company's products have been well accepted amongst SAARC nations, CIS, Africa and West Asia. We intend augmenting our International presence and acceptance by entering into other markets and emerge as a major global player in the industry.

Striking a balance between elegance economy and utility our Sterling range of products are just the answer to your desires and aspirations, no matter how exclusive or personal they may be. The products are thus aptly christened as **UNE TENTATION LAQUELLE LES MOYENS PERMETTENT!**

I have visited the Sanitaryware factory of GMB Ceramics Ltd. at Balasore, Orissa and I was pleased to see the most modern layout and equipment and also the highly efficient Tunnel Kiln. After seeing the products in white and colour I am convinced that the factory has the potential for manufacturing the best sanitaryware for sale not only in India but in all International markets overseas. While I am happy to be associated with GMB, I extend my best wishes to the management for making it the best sanitaryware factory in the country.

(KENNETH L SHANKS)
Calcutta - 26th August, 1989

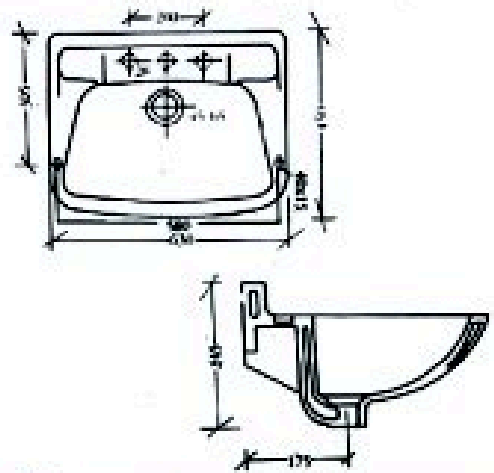
Mr. K. L. Shanks, Ex. Chairman & Managing Director
of Armitage Shanks, UK



SL.NO.	CONTENTS	PAGE
	WASH BASINS	
01.	Gazelle	01
02.	Grace	01
03.	Chenille with Sovereign Pedestal	02
04.	Chevron	02
05.	Olivine	03
06.	Exotic	03
07.	Vista	04
08.	Oscar-with Armour pedestal	04
09.	Charisma	05
10.	Ultima	05
11.	Apollo	06
12.	Celestial	06
13.	Allure-(Vanity Basin-Oval)	07
14.	Aureole-(Vanity Basin-Round)	07
15.	Petite-(Angle Back)	08
16.	Cosmos-(Laboratory Sink) Kitchen Sink	08 08
	PEDESTALS	
17.	Warrior	09
18.	Cadet	09
	WATER CLOSETS & PANS.	
19.	Admiral & Cavalier-(Suite)	10
20.	Mystique & Magic-(Suite)	10
21.	Pioneer (European Water Closet)	11
22.	Crescent (European Water Closet)	11
23.	Senator (Wall Hung)	12
24.	Marshall (Anglo Indian Wc)	12
25.	Zenith 'A' (Orissa Pan)	13
26.	Zenith 'B' (Orissa Pan)	13
27.	Picador 'A' (Madura Pan)	14
28.	Picador-'B' (Madura Pan) Bombay Pan	14 14
29.	Zariba (Asian Pan)	15
	CISTERN	
30.	Citadel (LLC)	15
	URINALS	
31.	Aqualine (Half Stall)	16
32.	Mikado (Flat Back)	16
33.	Regina (Squatting Urinal)	17
34.	Privacy (Partition Plate)	17
	ACCESSORIES	
35.	Rosette-(Soap tray)	18
36.	Fiesta (Paper Holder)	18
37.	Iris-(Disposal Bucker)	19
38.	Heron-(Toilet Shelf)	19
39.	Anchor (Robe Hook)	20
40.	Comfort (Footrest)	20
41.	P/S Trap	20

★ DENOTES ISI MARKED

GAZELLE T₁ WASH BASIN



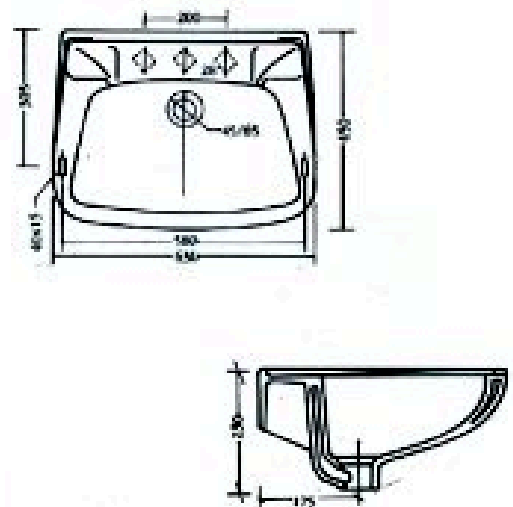
★ **Gazelle**, a lowskirting large graceful vitreous china basin with optimum bowl area and international appeal. Choice of three semi-punched tap hole options and twin soap recesses round the corners at the back. Can

be mounted on Warrior and Cadet pedestals or on to a wall. Available in all colours. Shown in Spring Time Green.

Fixing Arrangements : Standard metal brackets with studs 305 mm from wall 580 mm apart.

Size 630 x 450 x 245mm — Wt. 15.5 kg.

GRACE T₂ WASH BASIN



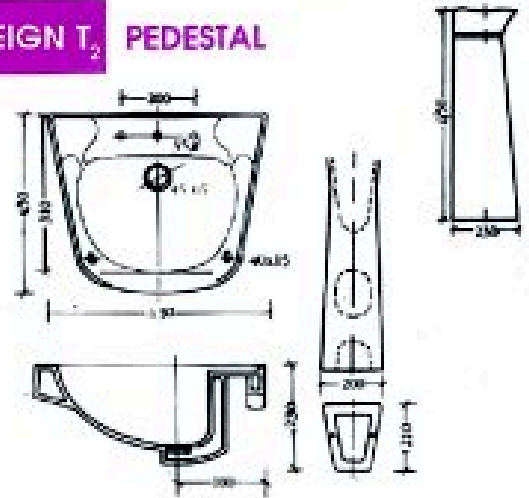
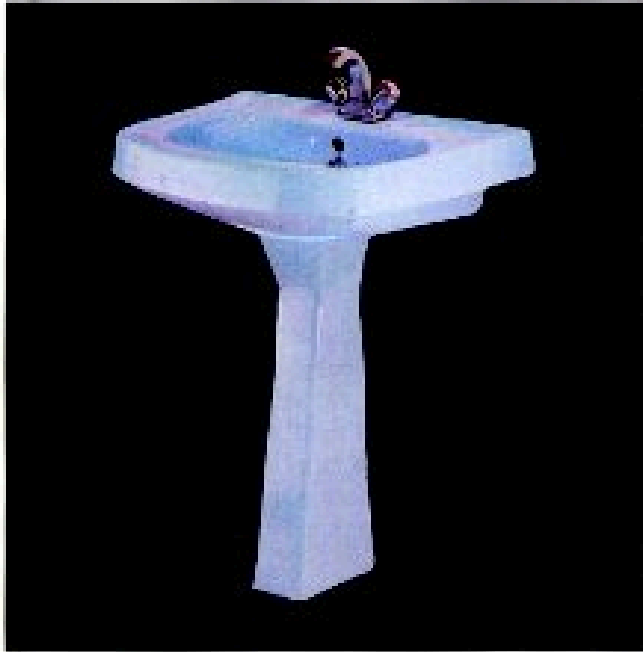
★ **Grace**, a combination of beauty and function. The slim contour allow for great flexibility in bathroom layout. Choice of three semi-punched tap hole options and twin soap recesses

round the corners at the back. Can be mounted on Warrior and Cadet pedestals or on to a wall. Available in all colours. Shown in Maroon Marvel.

Fixing arrangements : Standard metal brackets with studs 305mm from wall 580 mm apart

Size 630 x 450 x 230 mm — Wt. 16 Kg.

CHENILLE T₃ WASH BASIN & SOVEREIGN T₂ PEDESTAL

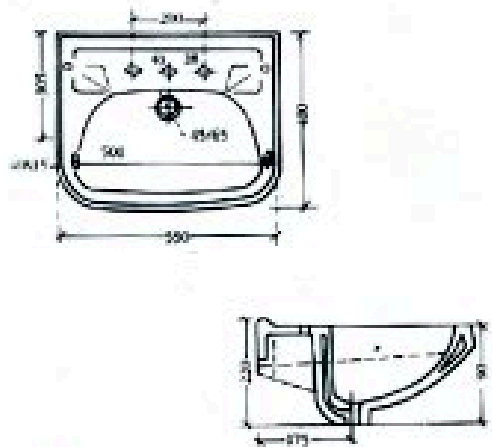


Chenille and Sovereign, an image of sophistication, immaculate styles and distinction captured in the grandeur of this set with specially matched pedestal. Choice of three semi-punched tap hole options and twin soap recesses round the corner at the back. Available in all colours. Shown in Heaven Blue

Fixing Arrangements : Wash Basin faucet 12 mm dia connection and waste outlet of 32 mm dia. Metal brackets with studs centre 305 mm from wall and 570 mm apart. For pedestal fix base to floor with number 12 wood screws - two numbers.

Size CHENILLE : 630 X 450 X 230 mm Wt. 15Kg.
 SOVEREIGN : 650 x 230 x 210 mm Wt. 7Kg.

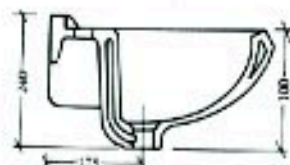
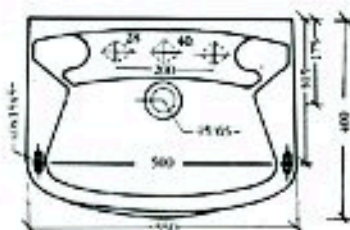
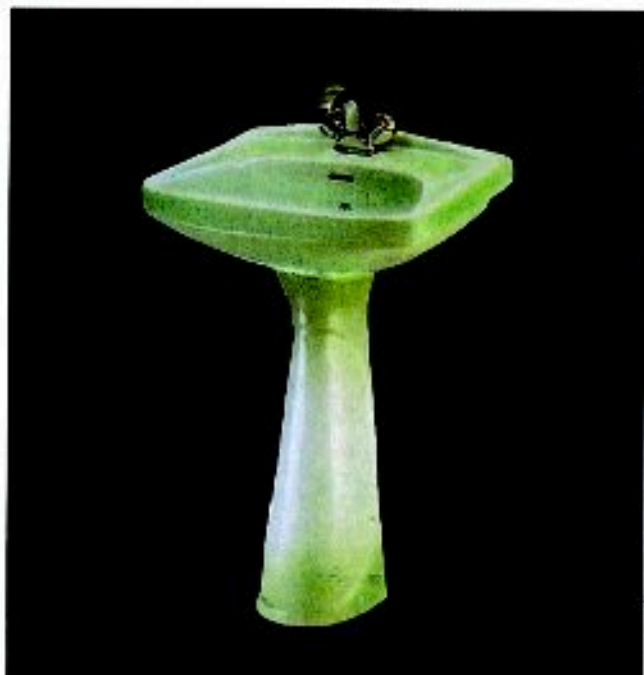
CHEVRON T₁ WASH BASIN



Chevron, smart and elegant, suitable for homes and offices, alike. Choice of three semi-punched tap hole options and soap recesses round the corner

at the back. Can be mounted on Warrior and Cadet pedestals or on to a wall. Available in all colours. Shown in Pink Gem

Fixing Arrangements - Standard metal brackets with studs 305 mm from wall and 500 mm apart.
Size 550 x 400 x 220 mm — Wt.12Kg.

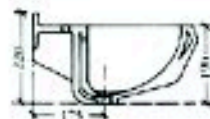
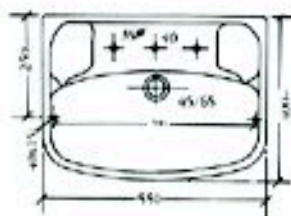
OLIVINE T₂ WASH BASIN

★ **Olivine**, a popular general purpose basin with low lying skirting at the back. Choice of three semi punched tap hole options and twin soap

recesses, round the corner at the back. Can be mounted on Warrior and Cadet pedestals or on to a wall. Available in all colours.

Fixing Arrangements: Standard metal brackets with studs 305 mm from wall and 500 mm apart.

Size 550 x 400 x 240 mm – Wt. 12 kg.

EXOTIC T₃ WASH BASIN

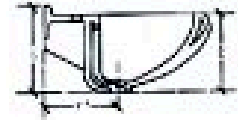
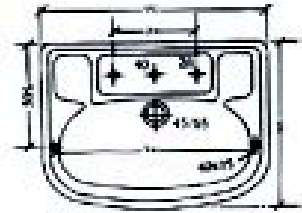
Exotic, the impeccable curves leave a lasting impression. Its semi round shape and crisp delineation gives it an international look. Choice of three

semi-punched tap hole options and twin soap recesses round the corner at the back. Can be mounted on Warrior and Cadet pedestals or on to a wall. Available in all colours.

Fixing Arrangements : Standard metal brackets with studs 305 mm from wall and 500 mm apart.

Size 550 x 400 x 220 mm — Wt. 12.5 Kg.

VISTA T₁ WASH BASIN



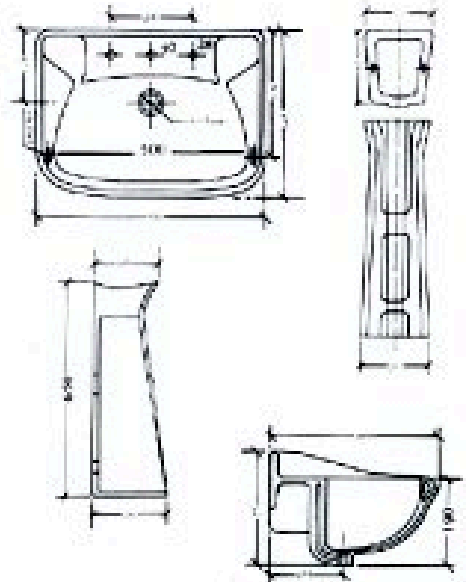
★ **Vista**, widely accepted for its international design and aesthetic appeal. Choice of three semi-punched tap hole options with twin soap recesses round the corner

at the back. Can be mounted on Warrior and Cadet pedestals or to a wall. Available in all colours

Fixing Arrangements : Standard metal brackets with studs 350 mm from wall and 500 mm apart.

Size 550 x 400 x 210 mm — Wt. 12 Kg.

OSCAR T₃ WASH BASIN ARMOUR T₃ PEDESTAL



Oscar, an only basin with front overflow and it so designed, to give a flower like visual effect. Specially matched

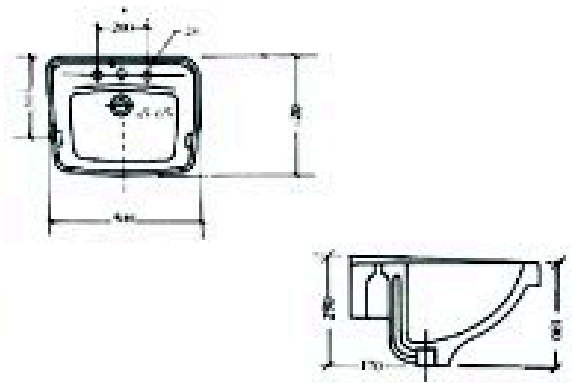
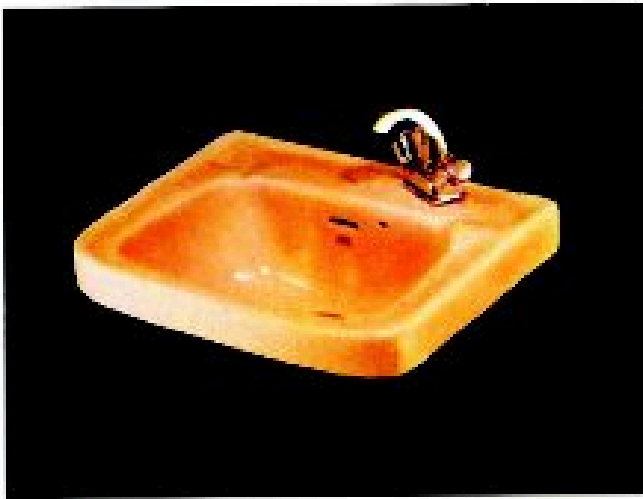
with **Armour** pedestal. Choice of three semi-punched tap hole options and twin soap recesses round the corner at the back. Available in all colours.

Fixing Arrangements: Standard metal brackets with studs 305 mm from wall and 500 mm apart.

Size **Oscar** 550 x 400 x 270 mm — Wt. 13 kg. **Armour** - 210 x 230 x 650 mm - Wt 7 kg

● Oscar & Armour is not in our regular production made on specific order only

CHARISMA T₁ WASH BASIN

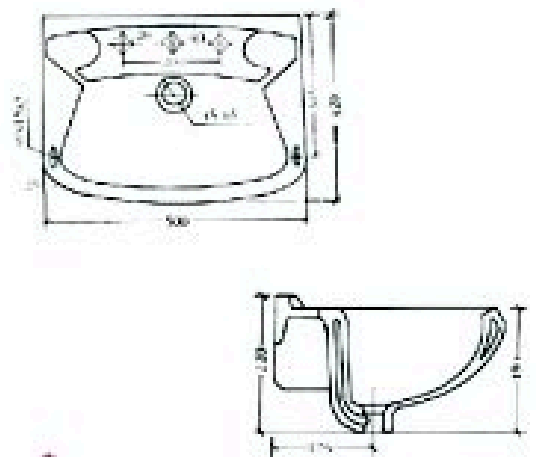
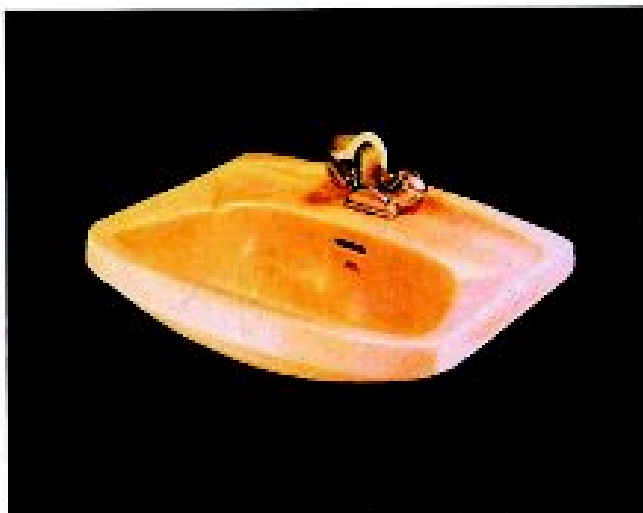


★ **Charisma**, a high utility basin, with a charming visual appeal. Choice of three semi-punched tap hole options and twin soap recesses, round the

corner at the back. Can be mounted on Warrior and Cadet pedestals or on to a wall. Available in all colours. Shown in Pink Gem

Fixing Arrangements: Standard metal brackets with studs 350 mm from wall and 450 mm apart.
Size 500 x 420 x 210 mm — **Wt.** 11 kg.

ULTIMA T₂ WASH BASIN

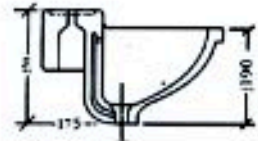
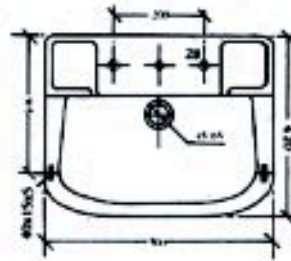


★ **Ultima**, a traditionally styled basin with a low lying skirting and an International appeal. Suitable for a standard size toilet. Choice of three semi-punched tap hole options and twin soap

recesses round the corner at the back. Can be mounted on pedestal like Warrior and Cadet or on to a wall. Available in all colours. Shown in Velvet Amber.

Fixing Arrangements : Standard metal brackets with studs 305 mm from wall and 450 mm apart
Size 500 x 420 x 220 mm — **Wt.** 11.2 Kg.

APOLLO T₃ WASH BASIN



★

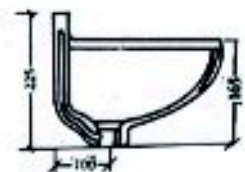
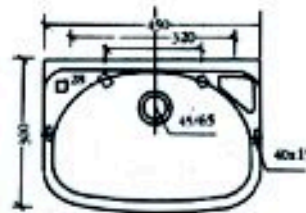
Apollo, inheriting with a scientifically raised skirting to protect the wall from the backlashes of water. Designed to latest international trends. Choice of

three semi-punched tap hole options and twin soap recesses, round the corner at the back. Can be mounted on Warrior and Cadet pedestal or on to a wall. Available in all colours. Shown In Ivory Sensation.

Fixing Arrangements : Standard metal brackets with studs 350 mm from wall and 450 mm apart.
Size 500 x 420 x 250 mm — **Wt.** 12 Kg.

Applied for ISI

CELESTIAL WASH BASIN



★

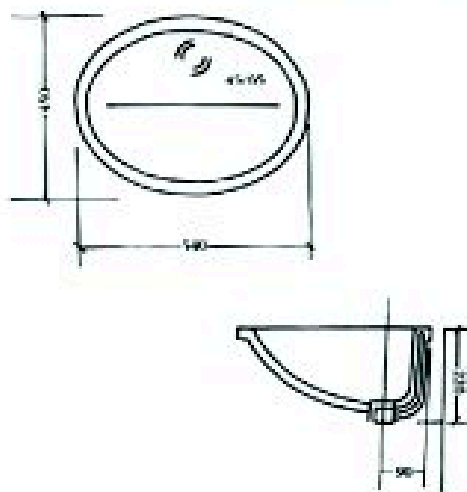
Celestial, a neatly styled compact wash basin with high utility value. Ideally recommended for limited space. Provision of two semi punched

tap holes on the left and right. Suitable for fixing on brackets only. Available in all colours. Shown in Spring Time Green

Fixing Arrangements. Standard C.I. bracket with 150mm stud from wall and 400mm apart. Screws to wall with No. 12 wood screws x 2 and 1.5" long, 340mm apart.

Size 450 x 300 x 225 mm — **Wt.** 8 Kg.

ALLURE OVAL VANITY BASIN



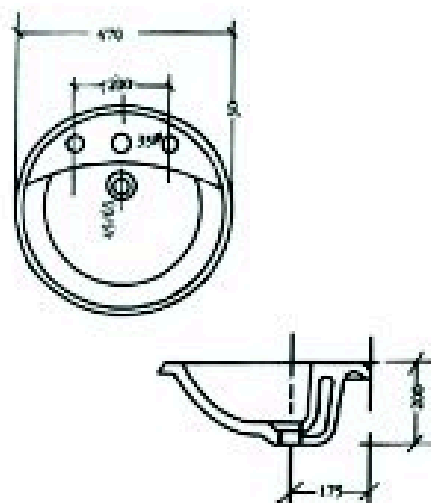
Allure, an oval vanity basin for unobstructive elegance and grace. Specially designed to fit over or under a counter top. It adds charming

beauty to the room. Available in all colours. Shown in Burnt Bronze

Fixing Arrangements: Suitable for mounting over, on level with or under the table surface.

Size 540 x 450 x 220 mm - Wt. 10 kg.

AUREOLE ROUNDAL VANITY BASIN



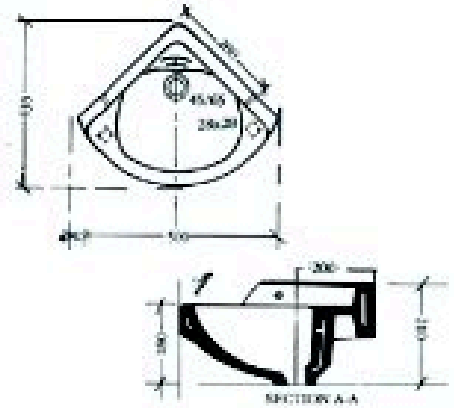
Aureole, a highly sophisticated and luxurious self rimming vanity basin with a thin edge ideal for table tops. Recommended for beauty parlours

and hotels to add decor to the bathroom. Three semi-punched top hole options and overflow slot. Available in all colours. Shown in Pink Gem

Fixing Arrangements : Fixed by mounting on table counter top.

Size . 470 mm dia x 200 mm — Wt. 9 kg.

PETITE ANGLE BACK WASH BASIN

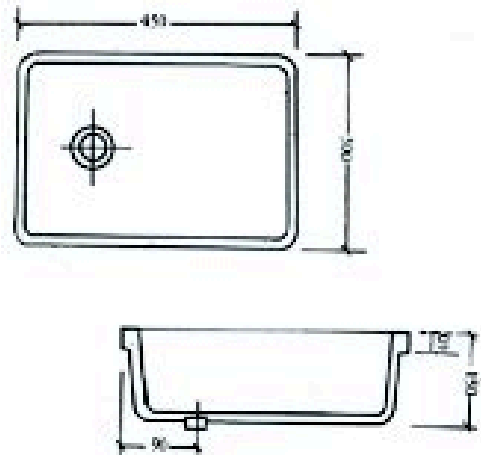


* **Petite**, a compact and cozy basin to fit any corner space. Suitable for wall fixing with metal brackets. Provision of two concealed tap holes on either

side and centrally located soap recess. Available in all colours. Show in Granite Grey Fixing Arrangements. Screws to wall with No. 12 wood Screws, one and half inch long and 260 mm from the corner.

Size 500 x 435 x 210 mm — **Wt.** 9 kg.

COSMOS LABORATORY SINK



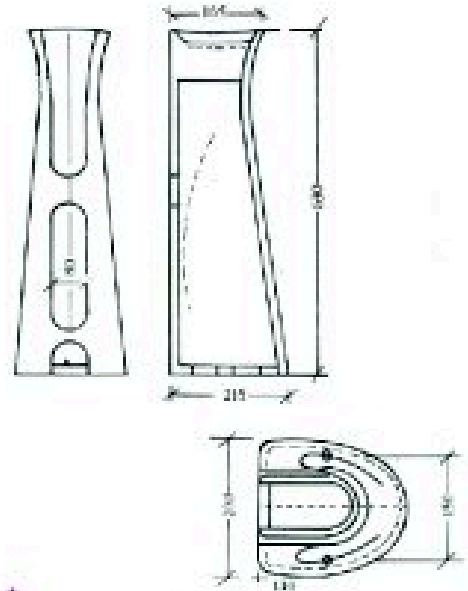
Cosmos, highly chemical resistant vitreous sinks designed for multipurpose use in labs and hospitals. Also available

VITREOUS & FIRE-CLAY Kitchen sinks for hygienic multipurpose use. Available in Everest White only.

Size	Lab. sink -	450 x 300 x 150 - wt. 9 kg.	(VITREOUS)
		500 x 350 x 150 - wt 10 kg.	
Kitchen sink,		600 x 450 x 200 - wt. 20 kg.	(VITREOUS)
		600 x 450 x 250 - wt. 21 kg.	
		600 x 450 x 250 - wt. 35 kg.	

● Kitchen Sink is not in our regular production made on specific order only.

WARRIOR T₁ PEDESTAL



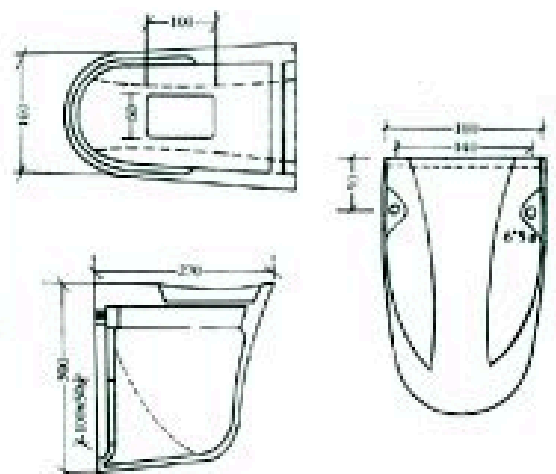
★ **Warrior**, an uniquely designed pedestal. Contours matches with the curvature of most existing wash basins.

Height of the pedestal is specially designed to ensure comfortable use. Available in all colours. Shown in Heaven Blue

Fixing Arrangements. For full pedestal fix base to floor with No. 12 wood screws x 2 of 1.5" long 150 mm apart and 110 mm from the wall.

Size 215 x 200 x 630 mm — **Wt.** 8 kg.

CADET HALF PEDESTAL

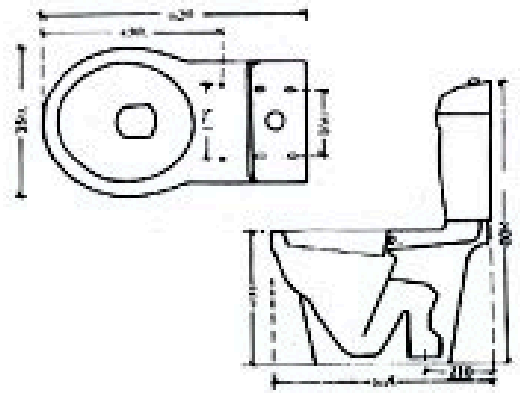


Cadet, designed to conceal the basin fittings leaving the floor easy for cleaning. Available in all colours. Shown in Savana Green

Fixing Arrangements : For half pedestal mount on the wall with No. 12 wood screws x 2 of 1.5" long 140 mm apart.

Size 270 x 180 x 300 mm — **Wt.** 5 kg.

ADMIRAL-ECWC & CAVALIER CISTERN



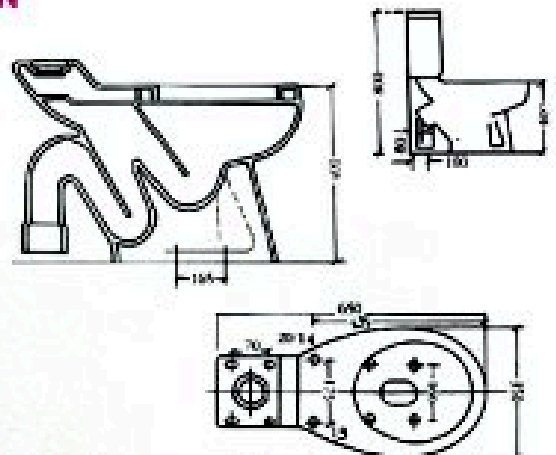
A luxurious and elegant suite comprising of close coupled single syphonic closet-**Admiral** and especially designed crown cistern - **Cavalier** (10 ltrs.) with a central lift feather touch flushing mechanism. The Admiral wc, a **mono-block** is specially designed so as to conceal the traps and plumbings - a one of its kind in India. Available in P or S trap out lets. Available in all colours. Shown in - Heaven Blue.

Fixing Arrangements: For the closet fix to floor with four wood screws number

8 x 37 mm. The distance from the wall to the centre of outlet is 200 to 225 mm. In the event of the suites being used where the distance is 100 mm the usage of suitable converter is recommended.

Size 620 x 350 x 400mm - Wt. 18kg. for S Trap. 19kg for P Trap. Cistern 480 x 400 x 200mm - Wt. 14 kg

MYSTIQUE-DTS ECWC & MAGIC CISTERN



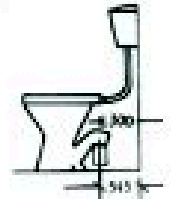
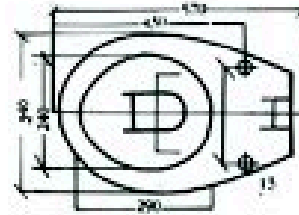
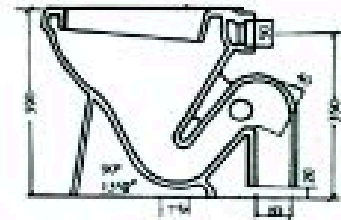
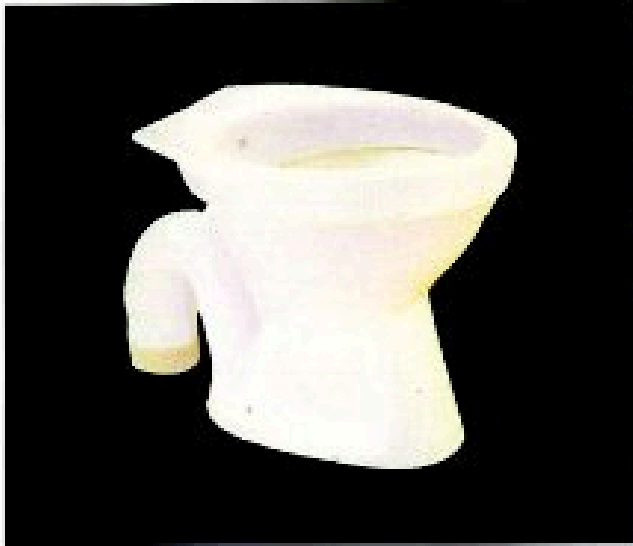
Mystique, an attractive styled close coupled double trap syphonic closet with a matching cistern **Magic** (12.5 ltrs) ensuring efficient flushing and compact visual appeal. Available with P & S trap outlets. Available in all colours. Shown in Ivory Sensation

Fixing Arrangements: Fix to floor with 4 Nos. wooden screws number

8 x 37 mm long. The distance of the centre of the outlet from the wall is 100 mm. Plastic **ASPIRATOR** supplied with the fittings for trouble free flushing.

Size 650x350x400mm - Wt. 20.5 kg. for P Trap 21.5kg for S Trap. Cistern 620x240x370 mm - Wt. 15.5Kg

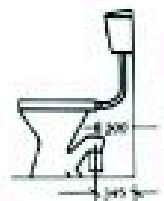
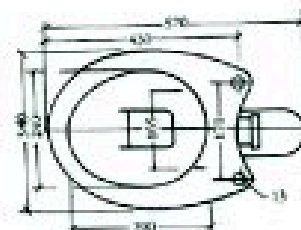
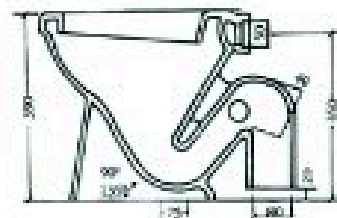
PIONEER WASH DOWN PATTERN EWC



★ **Pioneer**, a neatly designed traditional wash down model ensuring better comfort. Ideally combines with

Citadel LLC. Available with P & S trap outlets. Available in all colours. Shown in Everst White
 Fixing Arrangements: Fix to floor with 4 wood screws No. 8 x 37 mm long.
Size 570 x 340 x 390 mm — Wt. P trap - 11 kg. S trap - 12 kg.

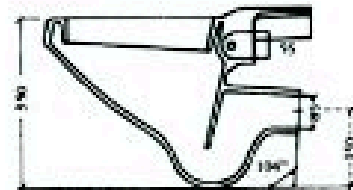
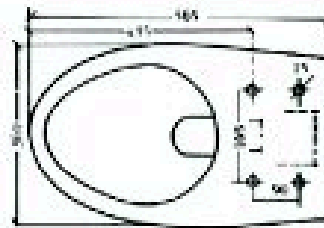
CRESCENT WASH DOWN PATTERN EWC



★ **Crescent**, a sleek contemporary design in the wash down pattern designed

for optimum comfort. Ideally suited with **Citadel LLC**. Available with P & S trap outlets and also with or without vent. Available in all Colours. Shown in Savana Green.
 Fixing Arrangements: Fix to floor with 4 wooden screws No. 8 x 37 mm long.
Size 570 x 340 x 390 mm — Wt. P trap 11 kg. S Trap 12 kg.

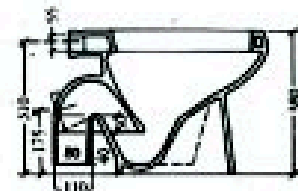
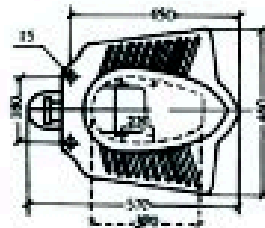
SENATOR WALL HUNG EUROPEAN WC



Set in style, the **Senator**, braces elegantly from any bathroom where space is of essence to the user. A designer's choice for image and a

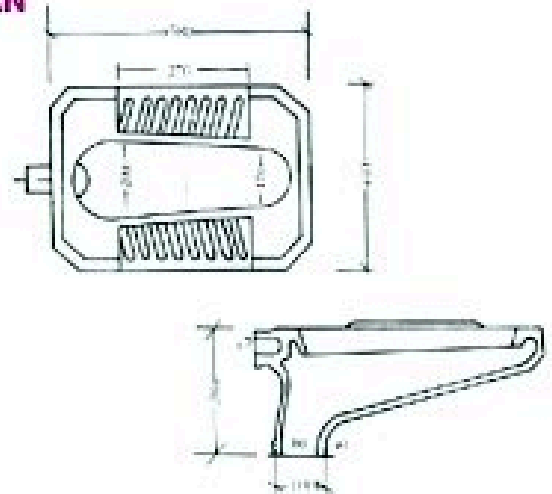
perfect solution to ease floor maintenance. Suggested for use with automatic flushers or with high level cistern, connected to back inlet. Available in all colours. Shown in Velvet Amber
 Fixing Arrangements: To be fixed with specially designed Metal Chair cart support with rubber lining on the arms. For detail refer to the suggested plumbing instruction on the facing flap.
Size 565 x 360 x 350 mm — Wt. 14 kg.

MARSHALL UNIVERSAL PAN (ANGLO INDIAN WC.)



Marshall, a versatile closet designed with built-in skid proof footrest for comfort and safety. Can be used as squatting pan or as European wash

down water closet. Ideally recommended with **Citadel-LLC**. Available with P & S trap outlets and also with or without vent. P trap can also be converted to use as S trap with 90° bend
 Available in all colours. Shown in Granite Grey
 Fixing Arrangements: Fix to floor with 4 wooden screws No. 8 x 37 mm long 750 mm from wall and 145 mm apart. To be used with low level cistern of 10 ltrs capacity.
Size 570 x 460 x 380 mm — Wt. P. Trap - 17 kg. S. Trap - 18 kg. 90° Bend - 1.5 kg.

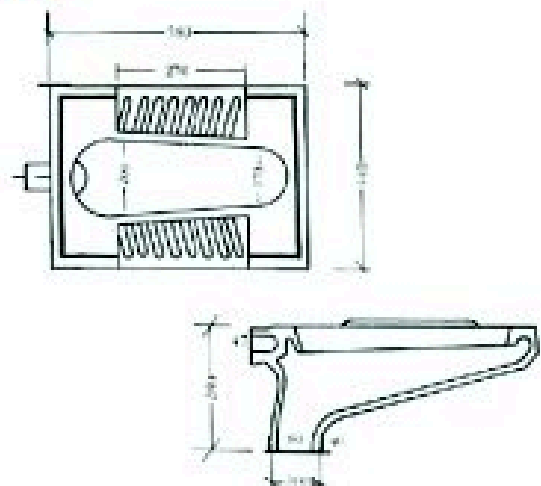
ZENITH - A ORISSA PATTERN SQUATTING PAN

Zenith - A, an octagonal shaped deluxe squatting pan with built in skid-proof footrest. The slope is scientifically designed to drain-out the ablution

water from the surface via appropriate box rims. May be used **Citadel-LLC** or **HLC**. Available in all colours.

Fixing Arrangements: To be embedded in the floor with footrests projecting up from the floor level.

Size i) 580 x 440 x 280 mm ii) 500 x 440 x 275 mm —Wt. i) 14 kg. ii) 11 kg.

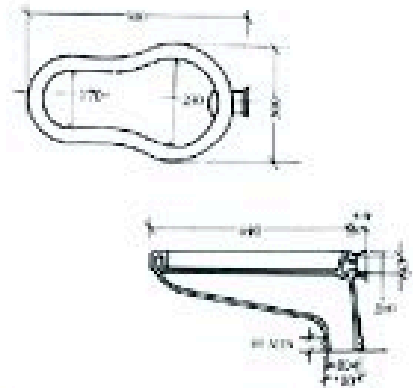
ZENITH - B ORISSA PATTERN SQUATTING PAN

Zenith - B, a rectangular shaped deluxe squatting pan with built in skid-proof footrest. The slope is scientifically designed to drain out the ablution

water from the surface via appropriate box rims. May be used with **Citadel-LLC** or **HLC**. Available in all colours.

Fixing Arrangement: To be embedded in the floor with footrests projecting up from the floor level.

Size i) 580 x 440 x 280 mm ii) 500 x 440 x 275 mm - Wt. i) 14 kg. ii) 11 kg.

PICADOR A**(SINGLE INLET) LONG PATTERN SQUATTING PAN**

★

Picador - A, is a standard squatting pan with open flushing rim designed for hygienic flushing. Outlet and water surface are kept well back to avoid

splash. Ideally suited with **Citadel-LLC** or **HLC**. Footrest and P trap are supplied with the pan if required. Available in Everest White only.

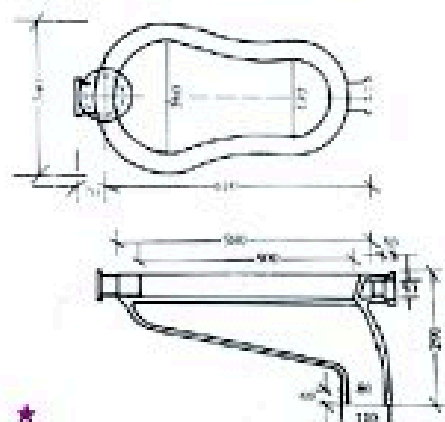
Fixing Arrangements: To be embedded in the floor with the rim at the floor level

Size 580 x 340 x 280 mm	— Wt. 9 kg.
500 x 300 x 260 mm	— Wt. 7 kg.
450 x 300 x 260 mm	— Wt. 6 kg.

Bombay Pan also available

Size 630 x 350 x 320 mm — Wt. 12 kg.

● Bombay Pan is not in our regular production made on specific order only.

PICADOR B**(DOUBLE INLET) LONG PATTERN SQUATTING PAN**

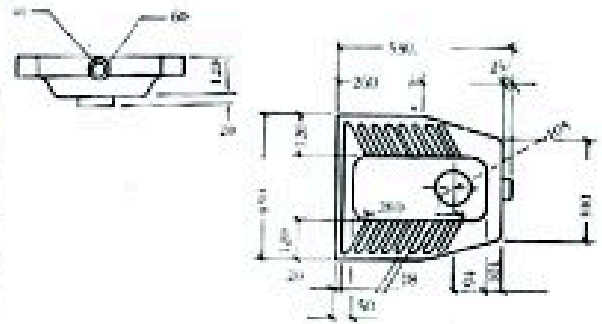
★

Picador B is a standard squatting pan with box rim flushing arrangement designed for optimum hygiene. Outlet and water surface are kept well back

to avoid splash. Ideally suited with **Citadel-LLC** or **HLC**. Footrest and P trap are supplied with the Pan if required. Available in Everest White only.

Fixing Arrangements: To be embedded in the floor with the rim at the floor level

Size 580 x 340 x 290 mm — Wt. 9.5 kg.

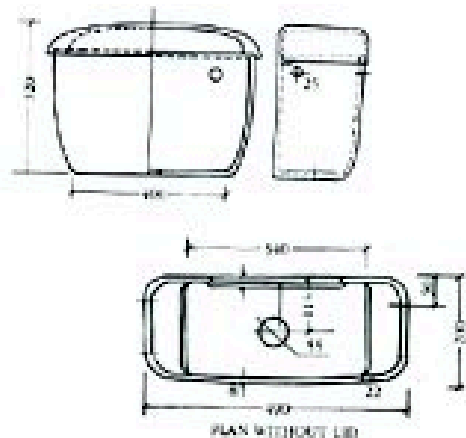
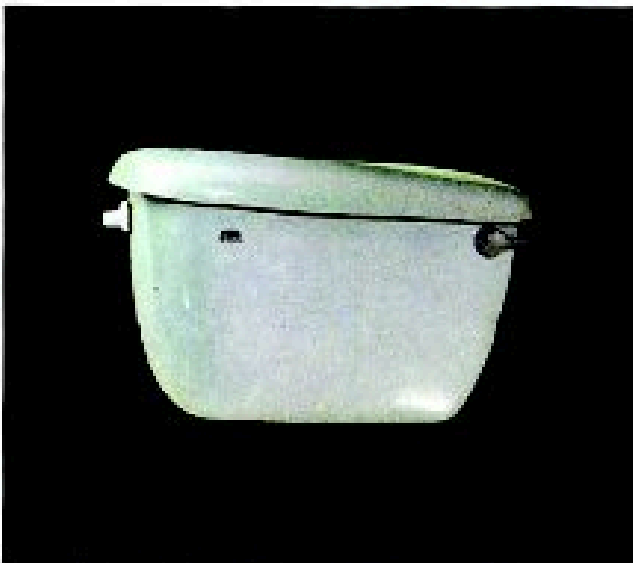
ZARIBA ASIAN WATER CLOSET (AWC)

Zariba, a low height sphenx-head shaped squatting pan with built-in skid proof footrest. Specially suited for multi storeyed buildings where the floor thickness is limited. Ideally matches with Citadel-LLC. Widely used in Central & West Asia. Available in all colours.

Fixing Arrangements: To be embedded on the floor with the rim at the floor level

Size: 530 x 430 x 105 mm - Wt: 10.5 kg

• Zariba is not in our regular production made on specific order only.

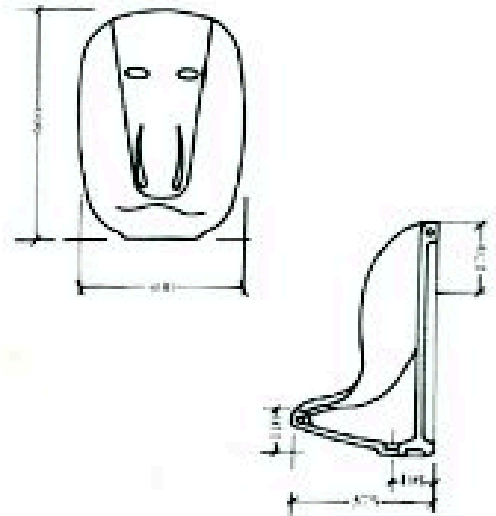
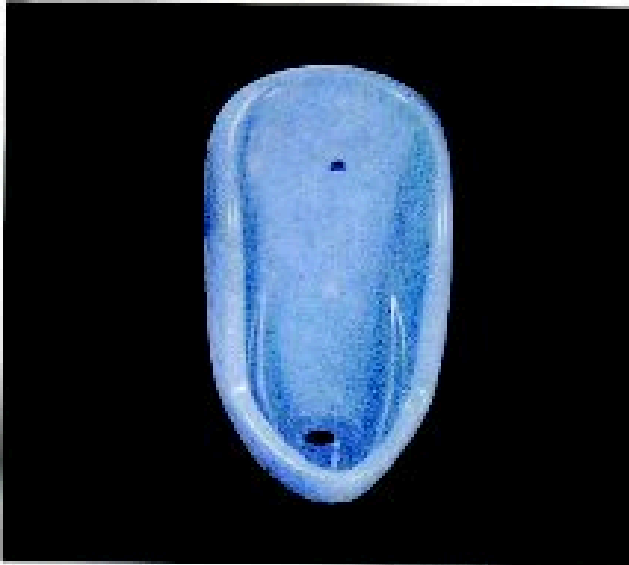
CITADEL LOW LEVEL CISTERN - (LLC)

• **Citadel-10 ltrs.LLC**, a perfect match to the washdown EWC, universal pan, and Indian squatting pans. To be mounted on the wall and connected

to w.c. through flush bends. Duly tested internal fittings for active flushing are supplied with the cistern at additional charges. Available in all colours.

Fixing Arrangements: To be mounted on the wall with concealed screws provided at the back wall of the cistern, supported with L bracket from the bottom.

Size: 490 x 200 x 320 mm — Wt: 14 mg.

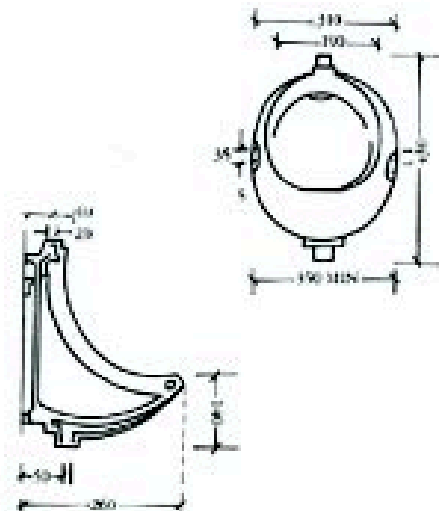
AQUALINE HALF STALL URINAL

* **Aqualine**, a flat back wall hung urinal designed to provide maximum privacy and users comfort, ensuring swift and hygienic disposals. Flushing

by means of spreader. Ideally suited for public places. Available in all colours.

Fixing Arrangements: Concealed recess at the back for hanging on 2 Nos. L shaped hooks to be hung at height of 900 mm from floor. To be used with partition plate.

Size 600 x 400 x 375 mm — Wt. 17 kg.

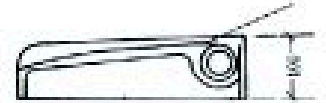
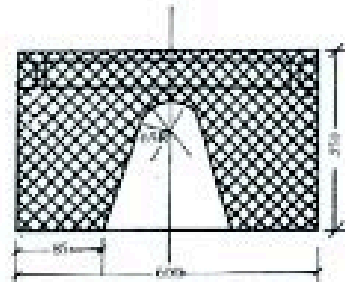
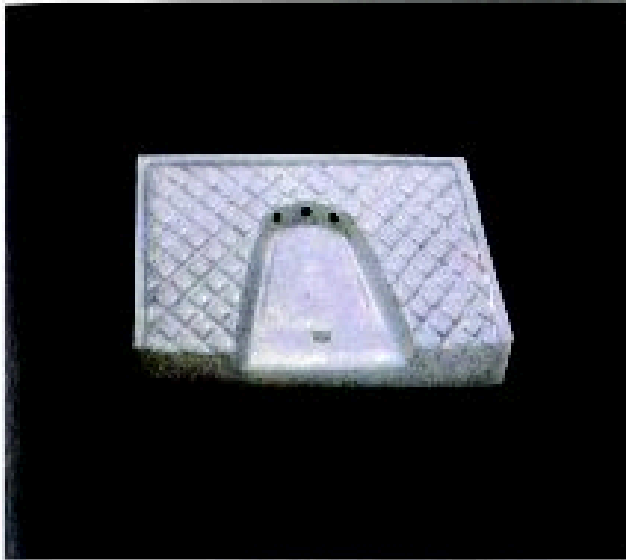
MIKADO FLAT BACK URINAL

* **Mikado**, oval shaped flat back wall hung urinal. Compact box rim provided for efficient flushing and surface cleaning. Excellently designed

to ensure thorough draining from the bowl. Flushing can be done with or without automatic cistern. Available in all colours.

Fixing Arrangements : Can be hung on wall by means of 4 Wooden screw no. 8 x 37 mm long through holes provided on the sides. The front portion being at a height of 730 to 760 mm from the floor.

Size 430 x 350 x 260 mm — Wt. 8 kg.

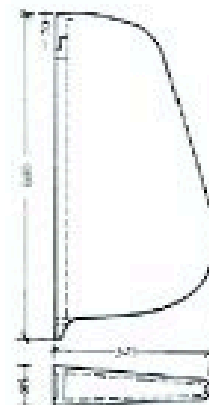
REGINA SQUATTING URINAL

Regina, a special type of squatting urinals used by women folk in the Asia continent. Designed with flat treads or ribbed pattern for comfort. Efficient flushing arrangement. Squatting Urinal

can be used with glazed channels. Available in Everest White only.

Fixing Arrangements: To be embedded in the floor or kept above according to the convenience.

Size 600 x 350 x 100 mm — Wt. 11 kg.,
450 x 350 x 100 mm — Wt. 9 kg.,

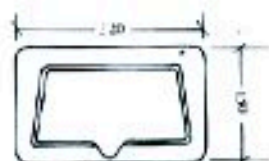
PRIVACY PARTITION PLATE

★

Privacy, a sleek partition plate ideally suited for public urinals to provide maximum privacy. A better alternative in all respects in comparison to partition wall. Available in all colours.

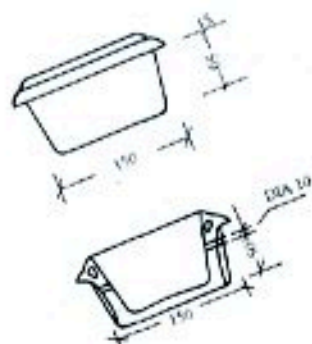
Fixing Arrangements : Concealed hanging arrangements with L hook at the top to be fixed at 170 mm from the floor. Guide screw to ensure vertical position at the bottom.

Size 680 x 325 x 85 mm — Wt. 8 kg.

ROSETTE SOAP TRAY


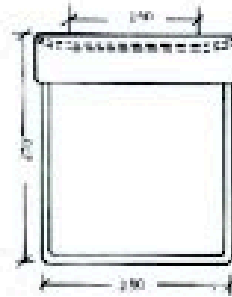
Rosette, scientifically designed vitreous china soap tray for easy access and water drainage. Available in all colours.

Size 190 x 130 x 85 mm - **Wt.** 1.1 kg.

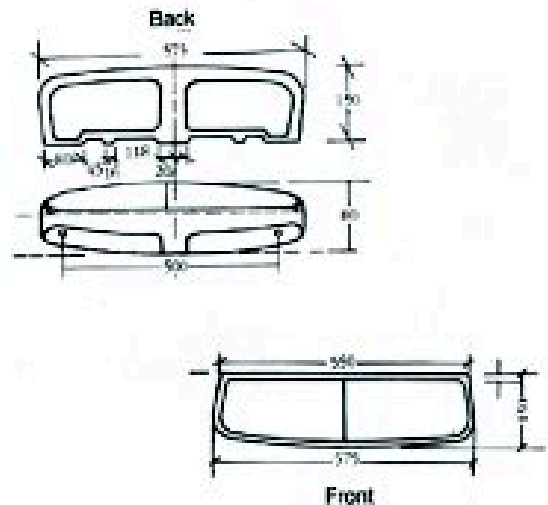
FIESTA PAPER HOLDER


Fiesta, fully recessed vitreous china paper holder with carefully designed interior contour for smooth extraction of paper. Available in all colours.

Size 150 x 150 x 80 mm **Wt.** 1.3 kg.

IRIS DISPOSAL BUCKET

Iris, specially designed sophisticated vitreous china disposal bin, meant for both dry and wet disposals. Ideally recommended for elegant bathrooms and hotels to match with the bathroom suites. Available in all colours. Shown in Heaven Blue
Size 230 (dia) x 270 mm - **Wt.** 5 kg.

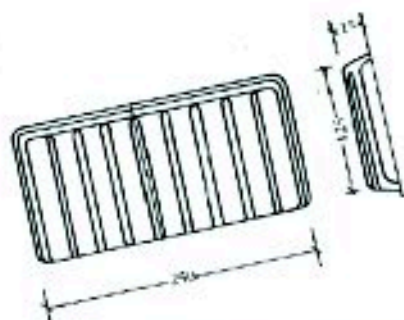
HERON TOILET SHELF

Heron, specially designed vitreous china toilet shelf flat top for keeping essential toileteries. Available in all colours. Shown in Granite Grey.

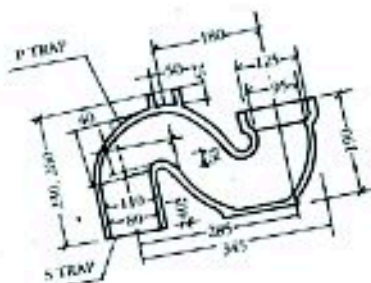
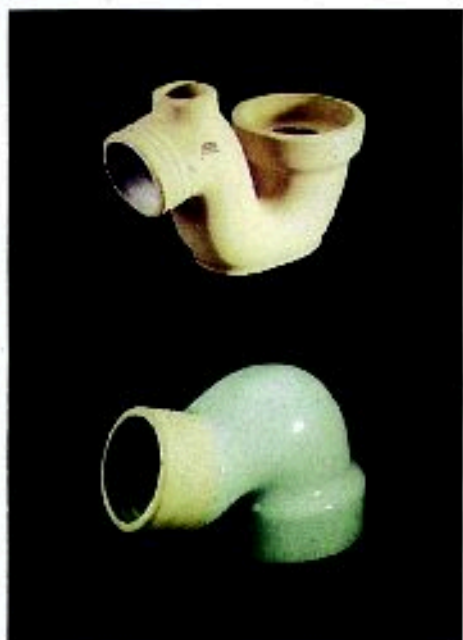
Fixing Arrangements: To be screwed to the wall with No. 12 wood screws - 1.5" long 2 Nos.
Size 575 x 150 x 80 mm - **Wt.** 4 kg.

ANCHOR ROBE HOOK

Anchor, an artistically designed vitreous china hook that adds to the sophistication and elegance of any bathroom. Optimum angle of the hook ensure prim hanging of garments. Available in all colours. Shown in Heaven Blue
Wt. 0.3 kg.

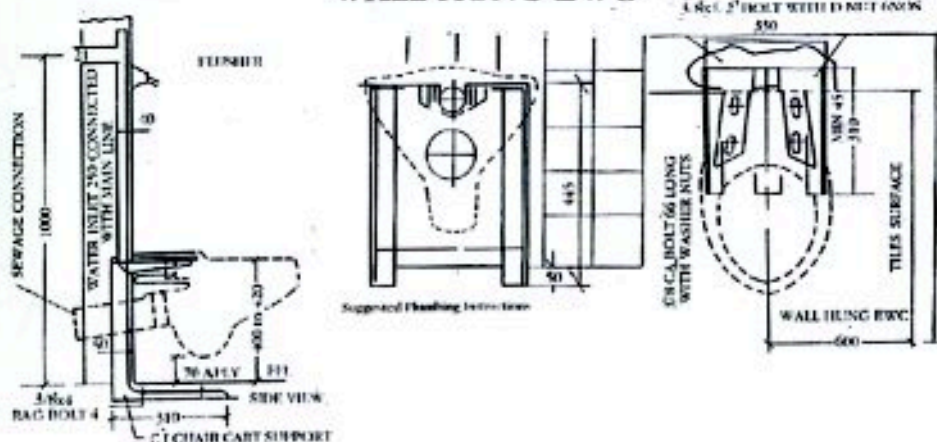
COMFORT FOOTREST:

* **Comfort**, designed to ensure optimum comfort and proper drainage of water. Ideally suited for long pattern squatting pan. Available in Everest White only. Fixing Arrangements: To be embedded in the floor.
Size: 250 x 125 x 15 mm (Single)
 250 x 125 x 35 mm (Pair)
Wt. 1.25 kg.
Wt. 2.5 kg.

P & S TRAP

P & S Trap, perfectly matched and designed to fit wcs and squatting pans, P trap also available in smaller size to suit floor requirement.
Wt. P Trap 4 kg.
 S Trap 5.3 kg.
 Small P Trap - 3.5 kg.

WALL HUNG EWC



Suggested Plumbing Instructions

Metric conversion table

mm	in	mm	in	mm	in	mm	in	mm	in	mm	in	mm	in	U.S. Gal.
3	1/8	255	10	560	22	865	34	1170	46	1475	58 1/2	1780	70 1/2	4.5 1
6	1/4	260	10 1/4	565	22 1/4	870	34 1/4	1175	46 1/4	1480	58 1/4	1785	70 1/4	9.0 2
10	3/8	265	10 1/2	570	22 1/2	875	34 1/2	1180	46 1/2	1485	58 1/2	1790	70 1/2	11.4 2 1/2
13	1/2	270	10 3/4	575	22 3/4	880	34 3/4	1185	46 3/4	1490	58 3/4	1795	70 3/4	13.6 3
16	5/8	275	10 3/4	580	23	885	35	1190	47	1495	59	1800	71	18.2 4
19	3/4	280	11	585	23 1/4	890	35 1/4	1195	47 1/4	1500	59 1/4	1805	71 1/4	
22	7/8	285	11 1/4	590	23 1/2	895	35 1/2	1200	47 1/2	1505	59 1/2	1810	71 1/2	
25	1	290	11 1/2	595	23 3/4	900	35 3/4	1205	47 3/4	1510	59 3/4	1815	71 1/2	
29	1 1/8	295	11 3/4	600	24	905	36	1210	48	1515	60	1820	72	
32	1 1/4	300	12	605	24 1/4	910	36 1/4	1215	48 1/4	1520	60 1/4	1825	72 1/4	
35	1 3/8	305	12 1/4	610	24 1/2	915	36 1/2	1220	48 1/2	1525	60 1/2	1830	72 1/2	
41	1 5/8	310	12 1/2	615	24 3/4	920	36 3/4	1225	48 3/4	1530	60 3/4	1835	72 3/4	
44	1 3/4	315	12 3/4	620	25	925	37	1230	49	1535	61	1840	73	
46	1 7/8	320	12 5/8	625	25 1/4	930	37 1/4	1235	49 1/4	1540	61 1/4	1845	73 1/4	
51	2	325	12 5/8	630	25 1/2	935	37 1/2	1240	49 1/2	1545	61 1/2	1850	73 1/2	
54	2 1/8	330	13	635	25 1/4	940	37 1/4	1245	49 1/4	1550	61 1/4	1855	73 1/4	
57	2 1/4	335	13 1/4	640	25 1/2	945	37 1/2	1250	49 1/2	1555	61 1/2	1860	73 1/2	
60	2 3/8	340	13 3/8	645	25 3/4	950	37 3/4	1255	49 3/4	1560	61 3/4	1865	73 3/4	
64	2 1/2	345	13 3/4	650	26	955	38	1260	50	1565	62	1870	74	
67	2 5/8	350	13 3/4	655	26 1/4	960	38 1/4	1265	50 1/4	1570	62 1/4	1875	74 1/4	
70	2 3/4	355	14	660	26 1/2	965	38 1/2	1270	50 1/2	1575	62 1/2	1880	74 1/2	
73	2 7/8	360	14 1/4	665	26 3/4	970	38 3/4	1275	50 3/4	1580	62 3/4	1885	74 3/4	
76	3	365	14 1/2	670	26 3/4	975	38 3/4	1280	51	1585	63	1890	75	
79	3 1/8	370	14 3/4	675	27	980	39	1285	51 1/4	1590	63 1/4	1895	75 1/4	
83	3 1/4	375	14 3/4	680	27 1/4	985	39 1/4	1290	51 1/4	1595	63 1/4	1900	75 1/4	
86	3 3/8	380	15	685	27 1/2	990	39 1/2	1295	51 1/2	1600	63 1/2	1905	75 1/2	
89	3 1/2	385	15 1/4	690	27 3/4	995	39 3/4	1300	52	1605	63 1/2	1910	75 1/2	
92	3 5/8	390	15 1/2	695	28	1000	40	1305	52 1/4	1610	63 1/4	1915	75 1/4	
95	3 3/4	395	15 3/4	700	28 1/4	1005	40 1/4	1310	52 1/4	1615	63 1/4	1920	75 1/4	
100	4	400	15 3/4	705	28 1/2	1010	40 1/2	1315	52 1/2	1620	63 1/2	1925	75 1/2	
105	4 1/8	405	16	710	28 1/2	1015	40 1/2	1320	52 1/2	1625	63 1/2	1930	75 1/2	
110	4 1/4	410	16 1/4	715	28 3/4	1020	40 3/4	1325	52 3/4	1630	63 3/4	1935	75 3/4	
115	4 1/2	415	16 1/2	720	28 3/4	1025	40 3/4	1330	52 3/4	1635	63 3/4	1940	75 3/4	
120	4 3/4	420	16 3/4	725	29	1030	41	1335	53	1640	64	1945	76	
125	5	425	16 3/4	730	29 1/4	1035	41 1/4	1340	53 1/4	1645	64 1/4	1950	76 1/4	
130	5 1/8	430	17	735	29 1/2	1040	41 1/2	1345	53 1/2	1650	64 1/2	1955	76 1/2	
135	5 1/4	435	17 1/4	740	29 3/4	1045	41 3/4	1350	53 3/4	1655	64 3/4	1960	76 3/4	
140	5 1/2	440	17 1/2	745	29 3/4	1050	41 3/4	1355	53 3/4	1660	64 3/4	1965	76 3/4	
145	5 3/4	445	17 3/4	750	30	1055	42	1360	54	1665	65	1970	77	
150	6	450	18	755	30 1/4	1060	42 1/4	1365	54 1/4	1670	65 1/4	1975	77 1/4	
155	6 1/8	455	18 1/4	760	30 1/2	1065	42 1/2	1370	54 1/2	1675	65 1/2	1980	77 1/2	
160	6 1/4	460	18 1/4	765	30 3/4	1070	42 3/4	1375	54 3/4	1680	65 3/4	1985	77 3/4	
165	6 1/2	465	18 1/2	770	30 3/4	1075	42 3/4	1380	54 3/4	1685	65 3/4	1990	77 3/4	
170	6 3/4	470	18 3/4	775	31	1080	43	1385	55	1690	66	1995	78	
175	6 3/4	475	18 3/4	780	31 1/4	1085	43 1/4	1390	55 1/4	1695	66 1/4	2000	78 1/4	
180	7	480	19	785	31 1/2	1090	43 1/2	1395	55 1/2					
185	7 1/8	485	19 1/4	790	31 3/4	1095	43 3/4			1700	67			
190	7 1/2	490	19 1/2	795	31 3/4			1400	56 1/4	1705	67 1/4			
195	7 3/4	495	19 3/4			1100	43 1/4	1405	56 1/4	1710	67 1/4			
				800	31 3/4	1105	43 1/2	1410	56 1/2	1715	67 1/2			2285 90
		800	31 3/4	805	31 3/4	1110	43 3/4	1415	56 3/4	1720	67 3/4			
200	7 3/4	505	19 3/4	810	31 3/4	1115	43 3/4	1420	56 3/4	1725	67 3/4			2405 97
205	8	510	20	815	32	1120	44	1425	57	1730	68			
210	8 1/4	515	20 1/4	820	32 1/4	1125	44 1/4	1430	57 1/4	1735	68 1/4			2565 100 1/2
215	8 1/2	520	20 1/2	825	32 1/2	1130	44 1/2	1435	57 1/2	1740	68 1/2			
220	8 3/4	525	20 3/4	830	32 3/4	1135	44 3/4	1440	57 3/4	1745	68 3/4			3505 138
225	8 3/4	530	20 3/4	835	32 3/4	1140	44 3/4	1445	57 3/4	1750	68 3/4			
230	9	535	21	840	33	1145	45	1450	58	1755	69			3710 146
235	9 1/4	540	21 1/4	845	33 1/4	1150	45 1/4	1455	58 1/4	1760	69 1/4			
240	9 1/2	545	21 1/2	850	33 1/2	1155	45 1/2	1460	58 1/2	1765	69 1/2			
245	9 3/4	550	21 3/4	855	33 3/4	1160	45 3/4	1465	58 3/4	1770	69 3/4			
250	9 3/4	555	21 3/4	860	33 3/4	1165	45 3/4	1470	58 3/4	1775	69 3/4			

GENERAL INFORMATIONS

VITREOUS

It is important to appraise the customer of this commonly used terminology which is mostly present in quality Chinaware.

Normally, the metamorphosis of one of the constituents in the clay body (usually silica) into a glassy consistency, thus binding together the other constituents of the clay into a vitreous or rigid mass. The process of heating to the glassy state is called vitrification derived from the Latin word vitrum, meaning glass. The amount of vitrification varies from product to product, according to the composition of the clay and the temperature of firing. Bonding is an essential end result of all firing operations, regardless to the contents of the ceramic mix.

Vitreous bodies are fired to a higher temperature (normally between 1200°C to 1400°C) than the semivitreous variety (about 1000°C) and, as a result, are entirely impervious to moisture. Therefore, "VITREOUS" denotes a perennial symbol of hygienic and quality.

WASH BASINS & PEDSTALS

Wash basins are generally available with or without pedestals. Pedestal basins serve to conceal the fittings connection the supply and waste services. The vanity basins similarly over come the problems of unsightly pipe work, being built into cabinet or shelf units. These are available in self rimming and metal trim type. Wall fixed basins (Without pedestals) have the advantage of leaving the floor clear. Care is however necessary to ensure that the plumbing is neat and fixing is secure.

WCs

There are three main type of water closets - the washdown pattern, single trap syphonic and the double trap syphonic. The fundamental difference in operation between washdown and syphonic WC is that the wash down wcs relies upon the downward thrust of flushing water from the rim to clear the pan. Syphonic pans operate by the development of a syphonic action in the trap, which effectively clears the bowl area by suction, washdown wc pans require relatively less space. Syphonic pans have more positive flushing characteristics.

URINALS

Bowl urinals are simple to instal and offer flexibility in the use of a available space. These are very hygienic in as much as each is provided with a seperate trap thus reducing the amount of accumulated urine at any point of time. A set of bowl urinals can be installed with partition in between at public place, to ensure maximum privacy and cleanliness.

ACCESSORIES

Without accessories a bathroom is not quite complete. It is the accessories which lend the ambience with a look of elegance and perfect finish.



The Imperial suite in Ivory Sensation.

Wash Basin	Chenille	630 x 450 x 230mm
Pedestal	Sovereign	650 x 230 x 210mm
Water Closet	Admiral	645 x 350 x 400mm
Cistern	Cavalier 10ft	480 x 400 x 200 mm
Disposal Bucket	Iris	230 (dia) x 270mm
Soap Tray	Rosette	190 x 100 x 80mm
Paper Holder	Fiesta	150 x 150 x 75mm
Toilet Shelf	Heron	575 x 150 x 80mm
Robe Hook	Anchor	

Beautility Supreme . . .

Springtime Green



Heaven Blue



Maroon Marvel



Savana Green



Pink Gem



Oyster Cream



Burnt Bronze



Ivory Sensation



Granite Grey



Velvet Amber



Everest White



Black Beauty





Panoramic view of the GMB factory at Balasore



GMB Ceramics Ltd.

HEAD OFFICE & WORKS :

25, Ganesh Chandra Avenue, Calcutta-700 013, India
Phone : 267539, 267519, 264640, Fax No. 0091-33-269255.

IDCO Industrial Estate, Somenathpur,
Balasore-756001, Orissa, India, Phone : 74209, 74259

Sales Office :

23, Ganesh Chandra Avenue,
Calcutta-700 013, India
Phone : 268313, 266204

Registered Office :

Sundergarh, Rajgangpur-770017,
Orissa, India

Singapore :

17, Philip Street, #02-00 Grand Building,
Singapore 0104.
Tel : 00 65 2254828
Fax : 00 65 5383687

Dubai :

202, E. Binsuloom Plaza
Al-Riqqa Street, Deira
P.O. Box : 14316
Dubai - U.A.E.
Tel : 971 4 242460
Fax : 971 4 242345.

Moscow Distributor : Agioruss

22/39 Zubovski Boulevard,
Moscow -119870
Tel : 007095 2461989, 3238, 2174
Fax : 007095 2453027